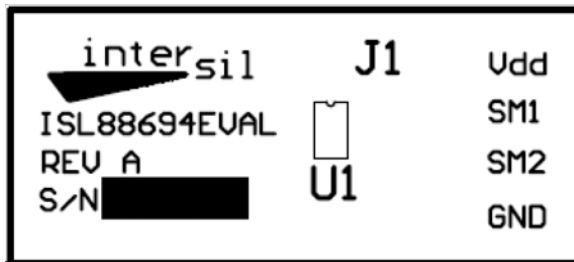


Description

The ISL88694EVAL board is designed for the customer's use in exploring the operation of the ISL88694 SMBus Accelerator IC. It provides an easy way to connect the device into a system or to check the performance of the ISL88694 device.

Pinout

ISL88694EVAL BOARD
TOP VIEW



Ordering Information

PART NUMBER	DESCRIPTION
ISL88694EVAL	Evaluation board for the ISL88694

Features

- Complete SMBus accelerator for both clock and data lines.
- Easy to use board for evaluation in the customer's application.
- Exposed soldering pads/pins for connecting to the supply and SMBus lines.

What is inside

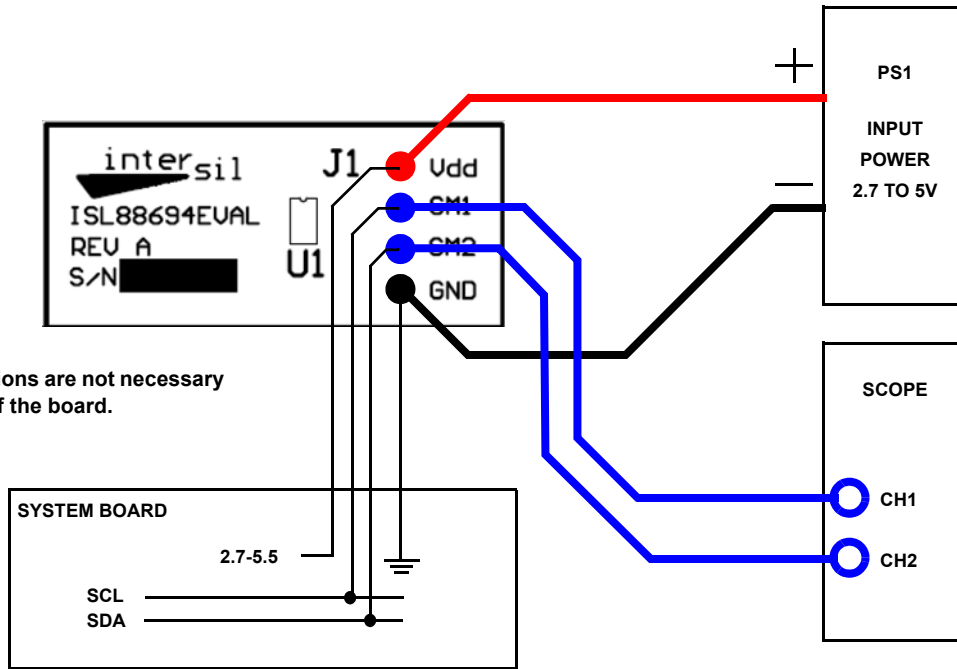
The Evaluation Kit contains:

- ISL88694EVAL board
- The ISL88694 Data Sheet
- The ISL88694EVAL Users Guide (this document)

What is needed

The following instruments will be needed to perform testing:

- Power supply:
 - +2.7 to +5.5V
- Oscilloscope



Note:
SCL and SDA connections are not necessary to test the operation of the board.

FIGURE 1. ISL88694 APPLICATIONS/TEST CONNECTION

Quick Setup

See Figure 1.

Step 1: With system powered down, connect a 2.7V to 5.5V power supply between V_{DD} and GND.

Step 2: Connect SM1 and SM2 to the system board's SCL and SDA bus lines (either connection is accepted).

Step 3: Turn on Power Supply.

Step 4: The SMBus lines will power up to a high state unless held low by a device. The turn-on time should be independent of any pull-up resistors on the system board.

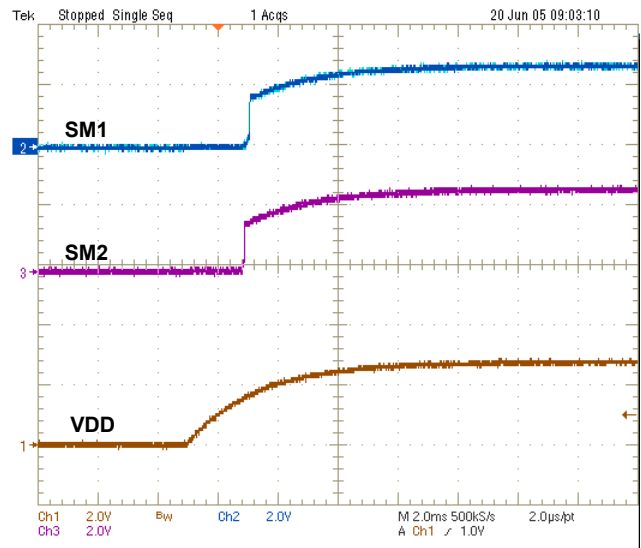


FIGURE 3. TYPICAL SM1 AND SM2 TURN ON

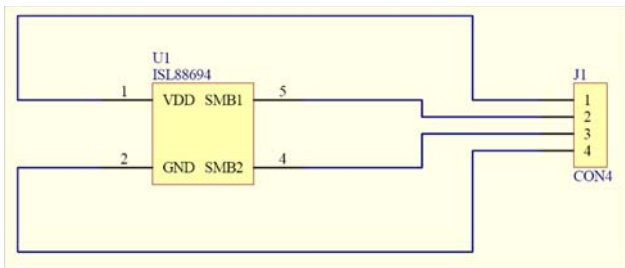


FIGURE 2. ISL88694EVAL SCHEMATIC

Board Test Procedure

Connect board as shown in Figure 1. Set the scope for a single trigger on the V_{DD} rising edge and set the V_{DD} to 2.7V. Power up the supply and observe the waveform of Figure 3.

Bill of Materials for ISL88694

DESIGNATOR	PART TYPE	FOOTPRINT	QTY
U1	ISL88694IH5Z	SOT23-5	1
J1	Not populated		1

Intersil Corporation reserves the right to make changes in circuit design, software and/or specifications at any time without notice. Accordingly, the reader is cautioned to verify that the Application Note or Technical Brief is current before proceeding.

For information regarding Intersil Corporation and its products, see www.intersil.com